

## FireBird Pro S (Gold Edition) Threaded Insert Tool

Battery operated · Places threaded inserts up to M12 steel, and M10 stainless steel

### The FireBird Pro with mechanical stroke setting

#### WHEN IS MECHANICAL STROKE SETTING USED

A constant set stroke should be used when a blind rivet nut size of the same length is set in unchanging material thicknesses.

The set stroke corresponds to the distance the threaded mandrel is drawn into the nosepiece during the setting process and thus how far the blind rivet nut is compressed.

With stroke setting, this distance can be adjusted mechanically on the riveting tool.

#### ADVANTAGES OF STROKE SETTING

- Controlling the tool through stroke setting guarantees the height of the blind rivet nuts is constant after setting, regardless of any small variations in the nut or the material
- Infinitely variable adjustment of the set stroke
- Stroke setting is preferred above all by experienced users and for large series production

#### Technical Data

- Setting Force** : 20,000 N  
**Weight** : 2.4 kg with battery (2.0 Ah)  
**Drive** : Brushless motor  
**Stroke** : 10 mm

#### Placing Capability

Blind rivet nuts up to M12 aluminium and steel, and M10 stainless steel

#### Threaded Mandrel & Nosepiece

Power per battery charge

Size ø	Material	Approx pc / battery charge	Mandrel	Nosepiece
M3	Aluminium	1,200	143 6211*	143 6218*
	Steel / Stainless	1,100		
M4	Aluminium	1,100	143 6212*	143 6219*
	Steel / Stainless	1,000		
M5	Aluminium	950	143 6213*	143 6220*
	Steel / Stainless	900		
M6	Aluminium	900	143 6214	143 6221
	Steel / Stainless	800		
M8	Aluminium	850	143 6215	143 6222
	Steel / Stainless	550		
M10	Aluminium	750	143 6216	143 6223
	Steel / Stainless	500		
M12	Aluminium	500	143 6217*	143 6224*
	Steel	300		

\*Sold separately

#### SYMBOLS FOR BATTERY AND CHARGER



CAS battery  
18 V/2.0 Ah  
(Li-Ion) in scope  
of delivery



2 CAS batteries  
in scope of  
delivery



1 Charger  
18 V Li-Ion  
in scope of  
delivery



Tool is delivered  
in the L-BOXX



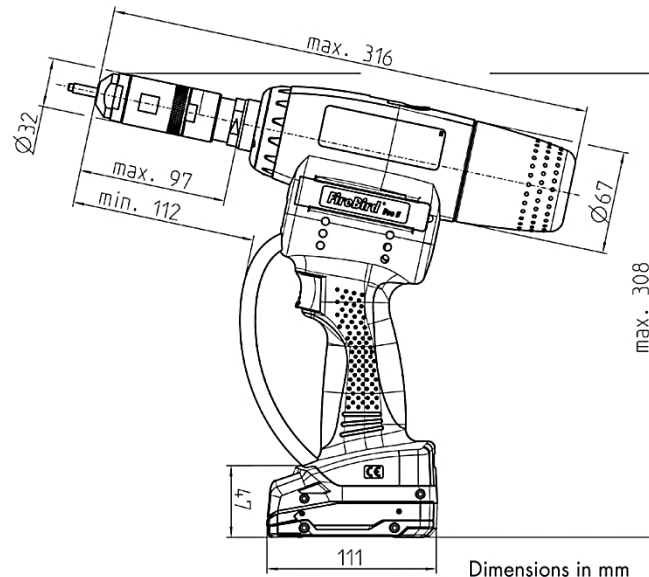
Tool is delivered  
in a carton



with mechanical  
stroke setting

Part no: 167 9677

Part no: 167 9678



## MAXIMUM POWER – FOR EVERY APPLICATION

The CAS battery packs are particularly long-lasting and powerful. Depending on the design, they are based on Li-Ion or LiHD technology. At GESIPA® the blind riveting and blind rivet nut setting tools can be purchased as standard with 2.0 Ah battery packs - the compact 4.0 Ah battery is also available as an accessory. But of course all other available CAS battery packs can also be used with our Bird Pro devices.



### Li-ION BATTERY PACK 18V

- Ultra M technology: Intelligent battery management for long-lasting battery packs
- Patented "AIR COOLED" charging technology
- Permanent Electronic Single Cell Protection (ESCP) when charging, for particularly long life.
- Processor-controlled charge and discharge management
- Capacity display with almost no self-discharge
- Capacity display with almost no self-discharge
- One battery pack for everything. 100% compatibility with all 18 V machines and chargers of the CAS partners



### THE OPTION: LiHD BATTERY PACK 18V

- More power with the new LiHD cell technology together with a newly developed battery pack
- High-current power rails and enlarged contacts
- 3 times better conductivity with cell connectors made of a special copper alloy
- Optimum protection against dirt with fully-sealed and protectively coated electronics, as well as optimum sealing in the lid design
- Cells protected by rubber buffers
- More usable cell energy means less frequent charging
- External rubber coating of the battery pack ensures safe and non-slip positioning and also acts as shock protection

